

Elamid connector Hightech

French/Belgian standard

1579202





General information

Item number	1579202
Model	Elamid connector Hightech
Colour	black
Shutter	With shutter

Electrical parameters

Amperage	16A
Voltage	250V
Poles	2P + PE

Standards/Directives

According to	NF C61-314 / NBN C61-112
Standard	French/Belgian standard
Certification marks	 

Operating conditions

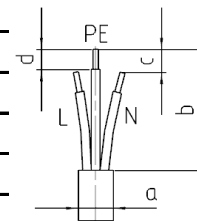
Storage temperature	-40°C to +80°C
Operating temperature	-30°C to +40°C
Relative humidity	5 to 95%, no condensation
Degree of protection	IP44
Resistance	UV-resistant Highly resistant to most oils, greases, solvents and detergents, hydrocarbons and organic and inorganic bases in usual concentrations

Materials

Contact Carrier	PA
Housing	PA

Connecting cable

Cross section	3x1,0mm ² -3x2,5mm ²
Cable diameter, dimension a	6-12mm
Insulation strip length sheath, dimension b	47-49mm
Trim L/N, dimension c	8mm
Insulation strip length cores, dimension d	8-10mm



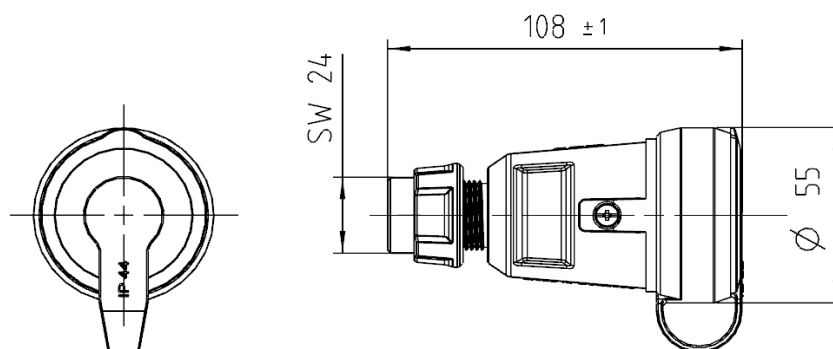
Connection screws

Max. torque for screws L-N/PE	0,4-0,5 Nm
Screw drive L-N/PE	Combined slot/PZ1
Max. torque for screws housing	0,6-0,7 Nm
Screw drive housing	Combined slot/PZ1

Additional technical information

Cable gland	Wrench size SW 24 Max. torque: 2,5-3,75 Nm
-------------	---

Subject to modifications



If the application requires extended specifications, we recommend to test the application under real or simulated conditions. Parameters like duration, quantity and temperature will effect the result significantly